

BRP-Rotax

ILLUSTRATED PARTS CATALOG

Chapter) LEP

LIST OF EFFECTIVE PAGES

Chapter	Page	Date
	Title page	Jan. 01 2018
TOC	TOC - 1 TOC - 2	Jan. 01 2018 Jan. 01 2018
LEP	LEP - 1 LEP - 2	June 01 2018 June 01 2018
TOA	TOA - 1 TOA - 2	June 01 2018 June 01 2018
00-00-00	1 2 3 4 5 6 7 8 9 10 11 12 13 14 15 16 17 18 19 20 21 22 23 24 25 26	Jan. 01 2018 Jan. 01 2018 Jan. 01 2018 Jan. 01 2018 Jan. 01 2018 Jan. 01 2018 Jan. 01 2018 Jan. 01 2018 Jan. 01 2018 Jan. 01 2018 Jan. 01 2018 Jan. 01 2018 Jan. 01 2018 Jan. 01 2018 Jan. 01 2018 Jan. 01 2018 June 01 2018 Jan. 01 2018 Jan. 01 2018 Jan. 01 2018 Jan. 01 2018 June 01 2018 Jan. 01 2018 Jan. 01 2018 Jan. 01 2018 Jan. 01 2018
24-00-00	27 28 29 30 31	Jan. 01 2018 Jan. 01 2018 Jan. 01 2018 Jan. 01 2018 Jan. 01 2018
24-20-00	32 33 34	Jan. 01 2018 Jan. 01 2018 Jan. 01 2018

Chapter	Page	Date
24-20-00	35	Jan. 01 2018
	36	Jan. 01 2018
72-10-00	37 38 39 40 41 42 43 44 45 46 47 48 49 50 51 52	Jan. 01 2018 Jan. 01 2018 Jan. 01 2018 Jan. 01 2018 Jan. 01 2018 Jan. 01 2018 June 01 2018 Jan. 01 2018 Jan. 01 2018 Jan. 01 2018 Jan. 01 2018 Jan. 01 2018 June 01 2018 Jan. 01 2018 Jan. 01 2018
72-20-00	53 54 55 56 57 58 59 60 61 62 63 64 65 66	Jan. 01 2018 Jan. 01 2018 Jan. 01 2018 Jan. 01 2018 June 01 2018 Jan. 01 2018 Jan. 01 2018 Jan. 01 2018 Jan. 01 2018 Jan. 01 2018 Jan. 01 2018 Jan. 01 2018 June 01 2018 June 01 2018
73-00-00	67 68 69 70 71 72 73 74	Jan. 01 2018 Jan. 01 2018 June 01 2018 June 01 2018 Jan. 01 2018 Jan. 01 2018 Jan. 01 2018 Jan. 01 2018

d06621.fm

BRP-Rotax
ILLUSTRATED PARTS CATALOG

Chapter	Page	Date	
73-10-00	75	Jan. 01 2018	
	76	Jan. 01 2018	
	77	June 01 2018	
	78	Jan. 01 2018	
	79	Jan. 01 2018	
	80	Jan. 01 2018	
	81	June 01 2018	
	82	Jan. 01 2018	
	83	June 01 2018	
	84	Jan. 01 2018	
	85	Jan. 01 2018	
	86	June 01 2018	
	87	June 01 2018	
	88	Jan. 01 2018	
	74-20-00	89	Jan. 01 2018
		90	Jan. 01 2018
		91	Jan. 01 2018
75-20-00	92	Jan. 01 2018	
	93	Jan. 01 2018	
	94	Jan. 01 2018	
	95	June 01 2018	
	96	June 01 2018	
	97	June 01 2018	
	98	June 01 2018	
	99	June 01 2018	
	100	Jan. 01 2018	
76-20-00	101	Jan. 01 2018	
	102	Jan. 01 2018	
	103	Jan. 01 2018	
	104	Jan. 01 2018	
	105	Jan. 01 2018	
	106	Jan. 01 2018	
	107	Jan. 01 2018	
	108	Jan. 01 2018	
	109	Jan. 01 2018	
	110	June 01 2018	
	111	June 01 2018	
	112	Jan. 01 2018	
	113	Jan. 01 2018	
	114	Jan. 01 2018	
	115	Jan. 01 2018	
	116	Jan. 01 2018	
	117	Jan. 01 2018	
118	Jan. 01 2018		
119	Jan. 01 2018		
78-10-00	120	Jan. 01 2018	
	121	Jan. 01 2018	
	122	Jan. 01 2018	
	123	Jan. 01 2018	

Chapter	Page	Date
78-10-00	124	Jan. 01 2018
	125	Jan. 01 2018
	126	Jan. 01 2018
	127	Jan. 01 2018
	128	Jan. 01 2018
	129	Jan. 01 2018
	130	Jan. 01 2018
	131	Jan. 01 2018
	132	Jan. 01 2018
	133	Jan. 01 2018
	134	Jan. 01 2018
	135	Jan. 01 2018
	136	Jan. 01 2018
	137	Jan. 01 2018
	138	Jan. 01 2018
	139	Jan. 01 2018
	79-20-00	140
141		Jan. 01 2018
142		Jan. 01 2018
143		Jan. 01 2018
144		Jan. 01 2018
145		Jan. 01 2018
146		Jan. 01 2018
147		Jan. 01 2018
148		Jan. 01 2018
149		Jan. 01 2018
80-10-00	150	Jan. 01 2018
	151	Jan. 01 2018
	152	June 01 2018
	153	June 01 2018
	154	June 01 2018
	155	Jan. 01 2018
	156	Jan. 01 2018
	157	Jan. 01 2018
	158	Jan. 01 2018
	159	Jan. 01 2018
	160	Jan. 01 2018
	161	Jan. 01 2018
	162	Jan. 01 2018
	163	Jan. 01 2018
	164	Jan. 01 2018
	165	June 01 2018
	166	June 01 2018
167	Jan. 01 2018	
168	Jan. 01 2018	
169	June 01 2018	
170	Jan. 01 2018	

d06621.fm

BRP-Rotax

ILLUSTRATED PARTS CATALOG

Chapter) TOA

TABLE OF AMENDMENTS

Approval*

The technical content of this document is approved under the authority of DOA No. EASA.21J.048.

current no.	chapter	page	date of change	remark of approval	date of approval from authorities	date of issue	signature
0	TOC	all	Jan. 01 2018	DOA*			
0	LEP	all	Jan. 01 2018	DOA*			
0	TOA	all	Jan. 01 2018	DOA*			
0	00-00-00	all	Jan. 01 2018	DOA*			
0	24-00-00	all	Jan. 01 2018	DOA*			
0	24-20-00	all	Jan. 01 2018	DOA*			
0	72-10-00	all	Jan. 01 2018	DOA*			
0	72-20-00	all	Jan. 01 2018	DOA*			
0	73-00-00	all	Jan. 01 2018	DOA*			
0	73-10-00	all	Jan. 01 2018	DOA*			
0	74-20-00	all	Jan. 01 2018	DOA*			
0	75-20-00	all	Jan. 01 2018	DOA*			
0	76-20-00	all	Jan. 01 2018	DOA*			
0	78-10-00	all	Jan. 01 2018	DOA*			
0	79-20-00	all	Jan. 01 2018	DOA*			
0	80-10-00	all	Jan. 01 2018	DOA*			
1	LEP	all	June 01 2018	DOA*			
1	TOA	all	June 01 2018	DOA*			
1	00-00-00	17,21	June 01 2018	DOA*			
1	72-10-00	43,49	June 01 2018	DOA*			
1	72-20-00	57,65,66	June 01 2018	DOA*			
1	73-00-00	69,70	June 01 2018	DOA*			
1	73-10-00	77,81,83, 86,87	June 01 2018	DOA*			
1	75-20-00	95-99	June 01 2018	DOA*			
1	76-20-00	110,111	June 01 2018	DOA*			
1	79-20-00	152-154	June 01 2018	DOA*			
1	80-10-00	165,166, 169	June 01 2018	DOA*			

d06622.fm

BRP-Rotax

ILLUSTRATED PARTS CATALOG

Chapter) TOA

Content

Summary of the relevant amendments in this context, but makes no claim to completeness.

current no.	chapter	page	date of change	comments
0	all	all	January 01 2017	New engine 582 model 17, change company name, new IPC layout
1	00-00-00 72-10-00 72-20-00 73-00-00 73-10-00 75-20-00 76-20-00 79-20-00 80-10-00	17, 21 43, 49 57,65, 66 69, 70 77,81,83,86,87 95-99 110,111 152-154 165,166,169	June 01 2018 June 01 2018 June 01 2018 June 01 2018 June 01 2018 June 01 2018 June 01 2018 June 01 2018 June 01 2018	Correct assignment of parts per engine, change of part numbers, update of illustrations

d06622.fm

BRP-Rotax

ILLUSTRATED PARTS CATALOG

Chapter) 00-00-00

REPAIR TOOLS AND GASKET SET FOR GEARBOX CONFIG. "B, C, E"

FIG & ITEM NO.	STATUS	PART NO.	INDENT	Description	Parts per Engine	
					582 UL mod. 99	582 UL mod. 17
1 1		277817	.1	ALLEN KEY WITH PILOT, 8 MM (0.315 IN.)	1a	1a
2		241875	.1	ALLEN SCREW M6x70/45	1b	1b
3		876880	.1	MOUNTING YOKE	1c	1c
4		276808	.1	PULLER ASSY. M28x1	1d	1d
5		876668	.1	INSERTION JIG ASSY.	1e	1e
6		995781	.1	GASKET SET	1f	1f
7		877430	.1	INSERTION JIG ASSY.	1g	1g
8		877432	.1	INSERTION JIG ASSY.	1h	1h
9		277982	.1	INSERTION JIG ASSY.	1i	1i
10		877445	.1	SOCKET WRENCH ASSY. 41x12.5	1	1
11-12		877379	.1	PULLER ASSY.	1j	1j
11		940755	..2	HEX. SCREW M16x1.5x150	1	1
13		877415	.1	PROTECTION MUSHROOM	1	1
14-15		877425	.1	FLYWHEEL PULLER ASSY.	1k	1k
14		941680	..2	HEX. SCREW M16x1.5x56	1	1
16		876552	.1	PROTECTION MUSHROOM	1	1
17		851160	.1	CLAMP 90-110	1l	1l
18		995775	.1	GASKET SET	1m	1m
19		995776	.1	GASKET SET	1n	1n

- Items not illustrated

- a For internal hex. screw.
- b To remove the gear cover.
- c To compress the dog gear.
- d For drive gear, l= 2.00; l= 2.24; l= 2.58.
- e For oil seal part no. 850055.
- f For gearbox configuration "B".
- g For oil seal part no. 930715.

d06623.fm

BRP-Rotax

ILLUSTRATED PARTS CATALOG

- h For oil seal part no. 950084 and part no. 950085.
- i For oil seal part no. 933675.
- j To remove the layshaft gear.
- k To remove the flywheel.
- l For mounting the hardy disk.
- m For gearbox configuration "C".
- n For gearbox configuration "E".

d06623.fm

BRP-Rotax

ILLUSTRATED PARTS CATALOG

Chapter) 00-00-00

LUBRICANT ADHESIVES AND SEALING COMPOUND

FIG & ITEM NO.	STATUS	PART NO.	INDENT	Description	Parts per Engine	
					582 UL mod. 99	582 UL mod. 17
1 B		897651	.1	LOCTITE 243 BLUE, 10 CC.	ARa	ARa
C		899788	.1	LOCTITE 648 GREEN, 5 ML. (CC)	ARb	ARb
E		297434	.1	LOCTITE ANTI SEIZE 50 ML.	ARc	ARc
F		xxx	.1	LOCTITE 7063	AR	AR
H		897870	.1	K&N FILTER OIL 99-11312	AR	AR
I		897330	.1	LITHIUM-BASED GREASE, 250 GR.	ARd	ARd
O		n.a.	.1	ENGINE OIL	AR	AR
P		899791	.1	LOCTITE 5910, 50 ML.	AR	AR
R		297711	.1	PU-GLUE	ARe	ARe
V		898570	.1	LOCKING PAINT	AR	AR
AG		897186	.1	SILICONE HEAT COMPOUND WACKER P12	ARf	ARf

- Items not illustrated

- a Medium strength bond, 10 cc.
- b High strength bond, 5 gr.
- c To prevent metal galling, 50 cc.
- d To prevent leakage current, 250 gr.
- e For vibration damping, 310 cc.
- f For better heat transfer from the spark plugs.

d06624.fm

BRP-Rotax
ILLUSTRATED PARTS CATALOG

NOTES

d06624.fm

BRP-Rotax

ILLUSTRATED PARTS CATALOG

Chapter) 72-10-00

REDUCTION GEARBOX "C": I= 2.62, I= 3.00, I= 3.47 OR I= 4.00

FIG & ITEM NO.	STATUS	PART NO.	INDENT	Description	Parts per Engine	
					582 UL mod. 99	582 UL mod. 17
2 1		958981	.1	FLY WHEEL	1	1
2		827786	.1	WASHER 13/34/5	1	1
3	s.v. N	841651 841652	.1	HEX. SCREW 1/2-20UNFX1 3/16 Tightening torque 80 Nm (59 ft.lb)	1	1
4		958971	.1	COUPLING FLANGE	1	1
5		842661	.1	NUT M8	1	1
6		958964	.1	RUBBER COUPLING	1	1
7		944120	.1	WASHER	6	6
8		841820	.1	ALLEN SCREW M10x45 Tightening torque 40 Nm (30 ft.lb)	6	6
9		810012	.1	GEAR BOX HOUSING	1	1
10		930675	.1	OIL SEAL 25x38x7	1	1
11		232286	.1	ROLLER BEARING 26.5-47-14	1	1
12		945690	.1	RETAINING RING 47x1.75	1	1
13		950084	.1	OIL SEAL A 32x47x7	1	1
14		932820	.1	BALL BEARING 6305 C3 /26-62-17	1	1
15		440366	.1	COLLAR HEX. SCREW M8x90 A/F 11	8	8
16		427021	.1	SHIM 26.5/34/0.2	AR	AR
17		886280	.1	GEAR SET I 2.62	1af	1af
17		886282	.1	GEAR SET I 3.0	1bf	1bf
17		886284	.1	GEAR SET I 3.47	1cf	1cf
17		886217	.1	GEAR SET I 4.00	1df	1df
18		845310	.1	LOCK WASHER VHZ	1	1
19		841591	.1	ALLEN SCREW M8x35	1	1
20		929940	.1	PIN 8x20	2	2

- Items not illustrated

d06625.fm

BRP-Rotax
ILLUSTRATED PARTS CATALOG

FIG & ITEM NO.	STATUS	PART NO.	INDENT	Description	Parts per Engine	
					582 UL mod. 99	582 UL mod. 17
21		950211	.1	GASKET	1	1
22		810021	.1	GEAR COVER	1	1
23		932420	.1	BALL BEARING 6205 C3, 25-52-15	2	2
24		930715	.1	OIL SEAL 35x47x7	1	1
25		944111	.1	DISTANCE RING 31/44/4.5	1	1
26		932570	.1	BALL BEARING 6306 C3, 30-72-19	1	1
27		944106	.1	SHIM	1	1
28		445330	.1	LOCK WASHER VHZ 6	4	4
29	s.v.	241236	.1	ALLEN SCREW M6x16	6	6
29	N	241237	.1	ALLEN SCREW M6x16	6	6
30		837185	.1	PROPELLER SHAFT	1	1
31		847757	.1	SPLITTED CONE SLEEVE 10	1	1
32		926201	.1	MASSIVE WASHER 30	1	1
33		842575	.1	HEX. NUT M30x1.5 12 MM, LH Tightening torque 250 Nm (184.4 ft.lb)	1e	1e
34		945751	.1	LOCK WASHER A6	11	11
35	s.v.	840880	.1	ALLEN SCREW M6x30	11	11
35	N	840888	.1	ALLEN SCREW M6x30	11	11
36		552280	.1	GASKET RING 18.2/24/1	1	1
37		840270	.1	MAGNETIC PLUG M18x1.5 Tightening torque 24 Nm (18 ft.lb)	1	1
38		230415	.1	SEALING RING A 6x10	2	2
39		841781	.1	CAPSTAN SCREW M6x10	2	2
40		941115	.1	AIR VENT SCREW M18x1.5	1	1
41		931200	.1	GASKET RING 18.2/22/2	1	1
42		.	.1	WIRE LOCK	AR	AR
43		944140	.1	COVERWASHER	1	1

- Items not illustrated

d06625.fm

BRP-Rotax

ILLUSTRATED PARTS CATALOG

Chapter) 72-10-00

REDUCTION GEARBOX "E": I=2.62, I=3.00, I=3.47 OR I=4.00

FIG & ITEM NO.	STATUS	PART NO.	INDENT	Description	Parts per Engine	
					582 UL mod. 99	582 UL mod. 17
3 1		958981	.1	FLY WHEEL	1	1
2		827786	.1	WASHER 13/34/5	1	1
3	s.v. N	841651 841652	.1	HEX. SCREW 1/2-20UNFX1 3/16 Tightening torque 80 Nm (59 ft.lb)	1	1
4		958971	.1	COUPLING FLANGE	1f	1f
5		842661	.1	NUT M8	1	1
6		958964	.1	RUBBER COUPLING	1	1
7		944120	.1	WASHER	6	6
8		841820	.1	ALLEN SCREW M10x45 Tightening torque 40 Nm (30 ft.lb)	6	6
9		810351	.1	GEARBOX HOUSING	1	1
10		930675	.1	OIL SEAL 25x38x7	1	1
11		232286	.1	ROLLER BEARING 26.5-47-14	1	1
12		945690	.1	RETAINING RING 47x1.75	1	1
13		950085	.1	OIL SEAL 32x47x7	1g	1g
13		950084	.1	OIL SEAL 32x47x7	1f	1f
14		932820	.1	BALL BEARING 6305 C3 /25-62-17	1	1
15		445070	.1	RETAINING RING 62x2	1	1
16		440366	.1	COLLAR HEX. SCREW M8x90 A/F 11	8	8
17		852430	.1	SPRAG CLUTCH HOUSING	1	1
18		259077	.1	SPRAG CLUTCH 45,665x62,332x13	1	1
19		245620	.1	SNAPRING 62	1	1
20		834280	.1	FREE WHEEL GEAR 42 T	1	1
21		832410	.1	NEEDL CAGE K28x34x20H	1	1
22		427236	.1	THRUST WASHER 28,25/39.8/1.5	1	1

- Items not illustrated

d06626.fm

BRP-Rotax
ILLUSTRATED PARTS CATALOG

FIG & ITEM NO.	STATUS	PART NO.	INDENT	Description	Parts per Engine	
					582 UL mod. 99	582 UL mod. 17
23		886751	.1	GEAR SET I 2.62	1ah	1ah
23		886753	.1	GEAR SET I 3.0	1bh	1bh
23		886755	.1	GEAR SET I 3.47	1ch	1ch
23		886757	.1	GEAR SET I 4.0	1dh	1dh
24		845310	.1	LOCK WASHER VHZ 8	1	1
25		440217	.1	ALLEN SCREW M8x80	1	1
26		929940	.1	PIN 8x20	2	2
27		950215	.1	GASKET	1	1
28		810361	.1	GEAR COVER	1	1
29		232243	.1	ZR-BEARING NJ 205 E JP1	1	1
30		930715	.1	OIL SEAL 35x47x7	1	1
31		944111	.1	DISTANCE RING 31/44/4.5	1	1
32		932570	.1	BALL BEARING 6306 C3,30-72-19	1	1
33		944106	.1	SHIM	1	1
34		445330	.1	LOCK WASHER VHZ 6	6	6
35	s.v.	241236	.1	ALLEN SCREW M6x16	6	6
35	N	241237	.1	ALLEN SCREW M6x16	6	6
36		837185	.1	PROPELLER SHAFT	1	1
37		847757	.1	SPLITTED CONE SLEEVE 10	1h	1h
38		926201	.1	MASSIVE WASHER 30	1	1
39		842575	.1	HEX. NUT M30x1.5 12 MM, LH Tightening torque 250 Nm (184.4 ft.lb)	1e	1e
40		227450	.1	THRUST WASHER 12.5/21.5/0.5	2	2
41		837302	.1	IDLE GEAR SHAFT	1	1
42		834290	.1	IDLE GEAR 62/25 Z	1	1
43		685975	.1	ELECTRIC STARTER ASSY.	1	1
44		945751	.1	LOCK WASHER A6	14	14

- Items not illustrated

d06626.fm

BRP-Rotax
ILLUSTRATED PARTS CATALOG

FIG & ITEM NO.	STATUS	PART NO.	INDENT	Description	Parts per Engine	
					582 UL mod. 99	582 UL mod. 17
42	s.v.	945880	..2	RETAINING RING 40x1.75	1	
42	N	945881	..2	RETAINING RING 40x1.75	1	1
43		924504	.1	ROTARY VALVE 132 DEGR.	1	1
44		945750	.1	LOCK WASHER A5	2	2
45	s.v. N	840511 840514	.1	ALLEN SCREW M5x16	2	2
46		897280	.1	CAGELESS-LABEL	1	1
47		851111	.1	CABLE CLAMP 8/M5	1	1
48		851113	.1	CLAMP 18/M5	1	1
49		650370	.1	ROTARY SEAL	1	1
50		897501	.1	RED WARNING LABEL	1	1
51		xxx	.1	see chapter 24-00-00	1	1

- Items not illustrated

- a) Rotary valve for configuration with rotary seal
- b) The circlip must be positioned at the inner groove only
- c) Crankcase including rotary valve drive, configuration with rotary seal.

d06638.fm

BRP-Rotax
ILLUSTRATED PARTS CATALOG

NOTES

d06638.fm

BRP-Rotax
ILLUSTRATED PARTS CATALOG

Chapter) 72-20-00
CYLINDER, CYLINDER HEAD

FIG & ITEM NO.	STATUS	PART NO.	INDENT	Description	Parts per Engine	
					582 UL mod. 99	582 UL mod. 17
3 1		850775	.1	DOUBLE GASKET 0.5 MM	1	1
2		913448	.1	CYLINDER WITH SLEEVE	2a	2a
3	s.v.	640952	.1	COLLAR HEX. SCREW M8x68.5 SW11	8	8
3	N	640955	.1	COLLAR HEX. SCREW M8x68.5 SW11	8	8
4		850040	.1	RUBBER RING 152.5/2.5/5	2	2
5		850540	.1	O-RING 83x2	2	2
8		841308	.1	COLLAR HEX. SCREW M8x65 SW11	12b	12b
9		913845	.1	CYLINDER HEAD	1c	
9		913848	.1	CYLINDER HEAD		1d
14-15		922511	.1	THERMOSTAT WITH GASKET	1	1
16		922025	.1	WATER OUTLET SOCKET	1	1
17		922061	.1	BENT OUTLET SOCKET	1	1
19		945751	.1	LOCK WASHER A6	2	2
20		242211	.1	HEX. NUT M6	2	2
21		241939	.1	ALLEN SCREW M6x20	2	2
22		240483	.1	PLUG SCREW 1/8-27NPT	3	3
23		230415	.1	SEALING RING A6x10	2	2
24	s.v.	841580	.1	HEX. SCREW M6x8 Tightening torque 8 Nm (70 in.lb)	1	1
24	N	841581	.1	HEX. SCREW M6x8 Tightening torque 8 Nm (70 in.lb)	1	1
25		940558	.1	HOSE NIPPLE M6 Tightening torque 8 Nm (70 in.lb)	1	1
26	s.v. N	922062 922063	.1	BENT OUTLET SOCKET	1	1
27		850338	.1	GASKET	1	1

- Items not illustrated

d06627.fm

BRP-Rotax
ILLUSTRATED PARTS CATALOG

FIG & ITEM NO.	STATUS	PART NO.	INDENT	Description	Parts per Engine	
					582 UL mod. 99	582 UL mod. 17
28		951880	.1	CLAMP 20-32	2	2
29		922521	.1	MOLDED HOSE 25/180 DEGR.	1	1

- Items not illustrated

- a RED 76.00 mm - 76.01 mm (2.992 in) - 2.993 in).
- b Usable for configuration with- and without 2-piece radiator.
- c with spark plug thread M14x1.25
- d with spark plug thread M12x1.25

d06627.fm

BRP-Rotax

ILLUSTRATED PARTS CATALOG

Chapter) 73-00-00

BING DOUBLE-FLOAT CARBURETOR 36 MM, MODEL 96

FIG & ITEM NO.	STATUS	PART NO.	INDENT	Description	Parts per Engine	
					582 UL mod. 99	582 UL mod. 17
1 1-34		887805	.1	CARBURETOR 54/36/21	1a	1a
2		.	..2	CARBURETOR HOUSING	1b	1b
3		963679	..2	CARBURETOR PISTON	1	1
4		963500	..2	NEEDLE CLIP	1	1
5		950430	..2	O-RING 2.5x1.5	1	1
6		827347	..2	SPRING CUP	1	1
7		938655	..2	CARBURETOR PISTON SPRING 1.25/14	1	1
8		831450	..2	RUBBER RING	1	1
9		963721	..2	COVER PLATE WITH PIN	1	1
10		241430	..2	HEX. SCREW M5x12	2	2
11		942541	..2	HEX. NUT M6x0.75 HIGHT 3 MM	2	2
12		241440	..2	ADJUSTMENT SCREW M6x0.75	2	2
13		260370	..2	RUBBER GROMMET	2	2
14		963700	..2	MIXING TUBE	1	1
15		261625	..2	SIEVE SLEEVE	1	1
16		261704	..2	FLOAT NEEDLE VALVE W. VITON TIP	1	1
17		261710	..2	FLOAT NEEDLE CLIP	1	1
18	s.v. N	861188 861189	..2	FLOAT (PAIR)	1	1
19		861192	..2	FLOAT BRACKET	1	1
20		929702	..2	PIN	1	1
21		830720	..2	GASKET	1	1
22		261011	..2	FLOAT CHAMBER ASSY.	1	1
23		963180	..2	SPRING CLIP	1	1
24		831713	..2	O-RING 3.2X1.8	1	1

- Items not illustrated

d06628.fm

BRP-Rotax
ILLUSTRATED PARTS CATALOG

FIG & ITEM NO.	STATUS	PART NO.	INDENT	Description	Parts per Engine	
					582 UL mod. 99	582 UL mod. 17
25		963155	..2	AIR REGULATING SCREW	1	1
26		938640	..2	SPRING	1	1
27		963167	..2	ADJUSTMENT SCREW	1	1
28		861940	..2	AIR VENT LINE	1	1
29		963740	..2	CHOKE PISTON WITH GASKET	1	1
30		268850	..2	SLEEVE	1	1
31		661050	..2	COMPRESSION SPRING	1	1
32		963750	..2	CHOKE HOUSING	1	1
33		860610	..2	RUBBER CAP	1	1
34		640220	..2	SLOTTED HEAD SCREW M6x5	1	1
35		230415	.1	SEALING RING A 6x10	1g	1g
36		940551	.1	HOSE NIPPLE M6	1g	1g
37		.	.1	JET NEEDLE	1c	1c
38		.	.1	IDLE JET	1d	1d
39		.	.1	NEEDLE JET	1e	1e
40		.	.1	MAIN JET	1f	1f
41-48		995667	.1	HAND LEVER CHOKE SET	1	1
41		268847	..2	CHOKE PISTON WITH GASKET	1	1
42		239730	..2	COMPRESSION SPRING	1	1
43		261770	..2	CHOKE HOUSING	1	1
44		260490	..2	RUBBER CAP	1	1

- Items not illustrated

d06628.fm

BRP-Rotax
ILLUSTRATED PARTS CATALOG

Chapter) 73-10-00
AIRFILTER (SINGLE/DOUBLE)

FIG & ITEM NO.	STATUS	PART NO.	INDENT	Description	Parts per Engine	
					582 UL mod. 99	582 UL mod. 17
1 1		825551	.1	AIRFILTER	2	2
2		825711	.1	AIRFILTER	2	2
3		825511	.1	AIRFILTER	1b	1b
4		825723	.1	AIRFILTER	1c	1c
5		.	.1	WIRE LOCK	ARd	ARd

- Items not illustrated

Filter installation sheet:

582 UL DCDI mod. 99 / mod. 17		
VERSION	582 UL - 48kW (with fresh oil pump)	582 UL - 48kW (without fresh oil pump)
SINGLE	part no. 825551 or 825711	
DOUBLE	part no. 825723	
with Intake silencer	part no. 825511	

- a For specific use, see filter installation sheet.
- b Use at intake silencer version.
- c With fresh oil injection.
- d Not as spare part available.

d06629.fm

BRP-Rotax
ILLUSTRATED PARTS CATALOG

NOTES

d06629.fm

BRP-Rotax

ILLUSTRATED PARTS CATALOG

Chapter) 73-10-00

INTAKE SILENCER

FIG & ITEM NO.	STATUS	PART NO.	INDENT	Description	Parts per Engine	
					582 UL mod. 99	582 UL mod. 17
2 1-3		825762	.1	INTAKE SILENCER SET 2-V	1a	1a
1-3		825764	.1	INTAKE SILENCER SET 2-V	1b	1b
1		825657	..2	INTAKE SILENCER ASSY.	1a	1a
1		825659	..2	INTAKE SILENCER ASSY.	1b	1b
2		825662	..2	SILENCER SOCKET	2	2
3		951791	..2	CLAMP 50-70	2	2
4		.	.1	WIRE LOCK	ARc	ARc

- Items not illustrated

- a If installed with filter on top.
- b If installed with filter on bottom.
- c Not as spare part available.

d06630.fm

BRP-Rotax
ILLUSTRATED PARTS CATALOG

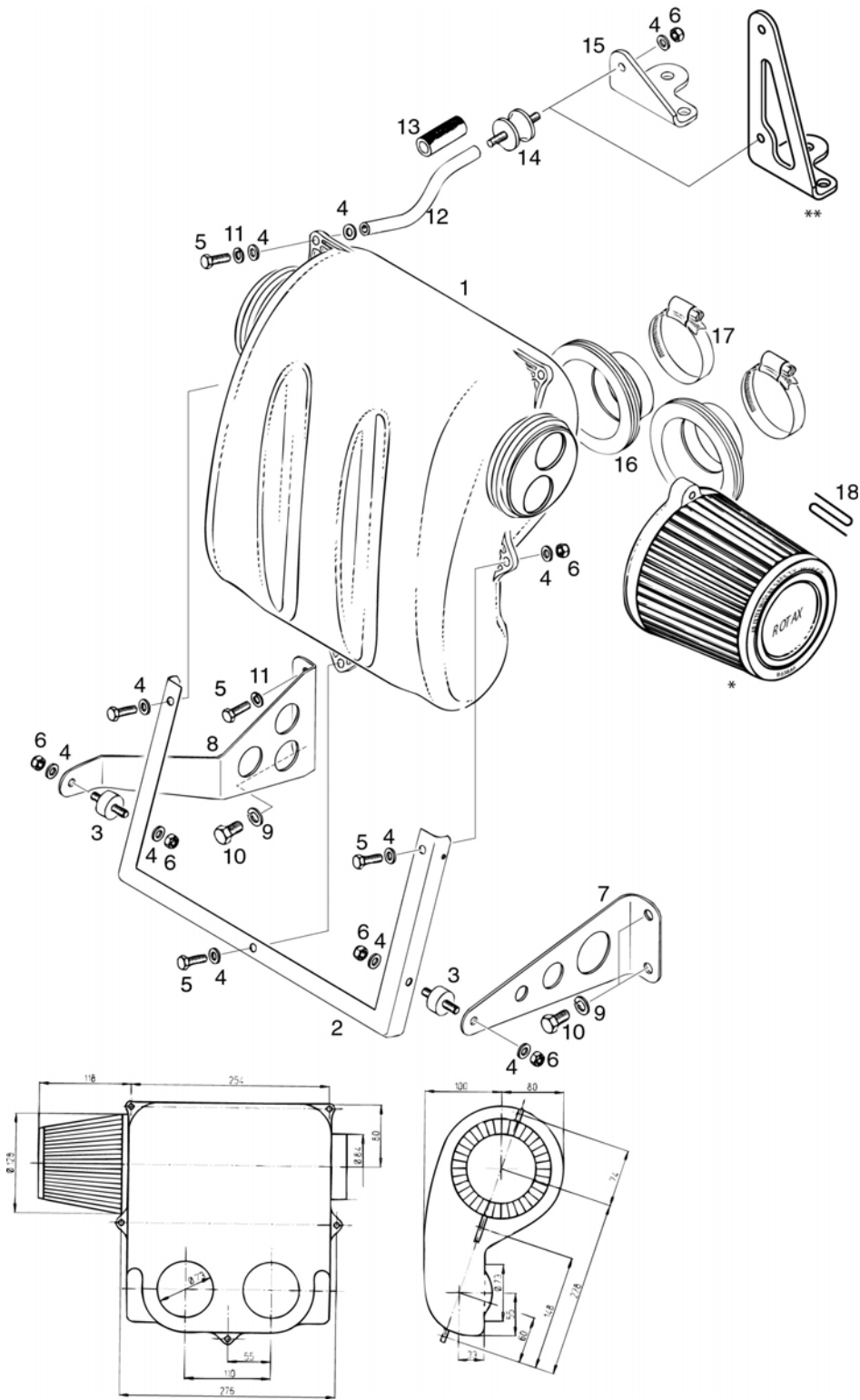


Fig. 73-10-00-3

09111

d06630.fm

BRP-Rotax

ILLUSTRATED PARTS CATALOG

Chapter) 73-10-00

INTAKE SILENCER

FIG & ITEM NO.	STATUS	PART NO.	INDENT	Description	Parts per Engine	
					582 UL mod. 99	582 UL mod. 2017
3 1-17		825743	.1	INTAKE SILENCER SET 2-V	1	1
1-6		825740	.1	INTAKE SILENCER WITH FRAME	1	1
1		825656	..2	INTAKE SILENCER ASSY.	1	1
2		953151	..2	FRAME	1	1
3		860700	..2	RUBBER BUFFER 20x10xM6	2	2
4		244213	..2	WASHER 6.4	13	13
5		940563	..2	HEX. SCREW M6x20	5	5
6		842042	..2	LOCK NUT M6	8	8
7		953166	..2	INTAKE SILENCER BRACKET MS	1	1
8		953163	..2	INTAKE SILENCER BRACKET AS	1	1
9		845382	..2	LOCK WASHER A8	3	3
10		940583	..2	HEX. SCREW M8x16 STAINLESS STEEL	3	3
11		845381	..2	LOCK WASHER A6	2	2
12		847608	..2	DISTANCE BAR	1	1
13		956236	..2	PROTECTION HOSE	1	1
14		260657	..2	RUBBER BUFFER 25x20xM6	1	1
15		851129	..2	INTAKE SILENCER BRACKET	1	1
16		825662	..2	SILENCER SOCKET	2	2
17		951791	..2	CLAMP 50-70	2	2
18		.	.1	WIRE LOCK	ARa	ARa

- Items not illustrated

a) Not as spare part available.

d06630.fm

BRP-Rotax
ILLUSTRATED PARTS CATALOG

NOTES

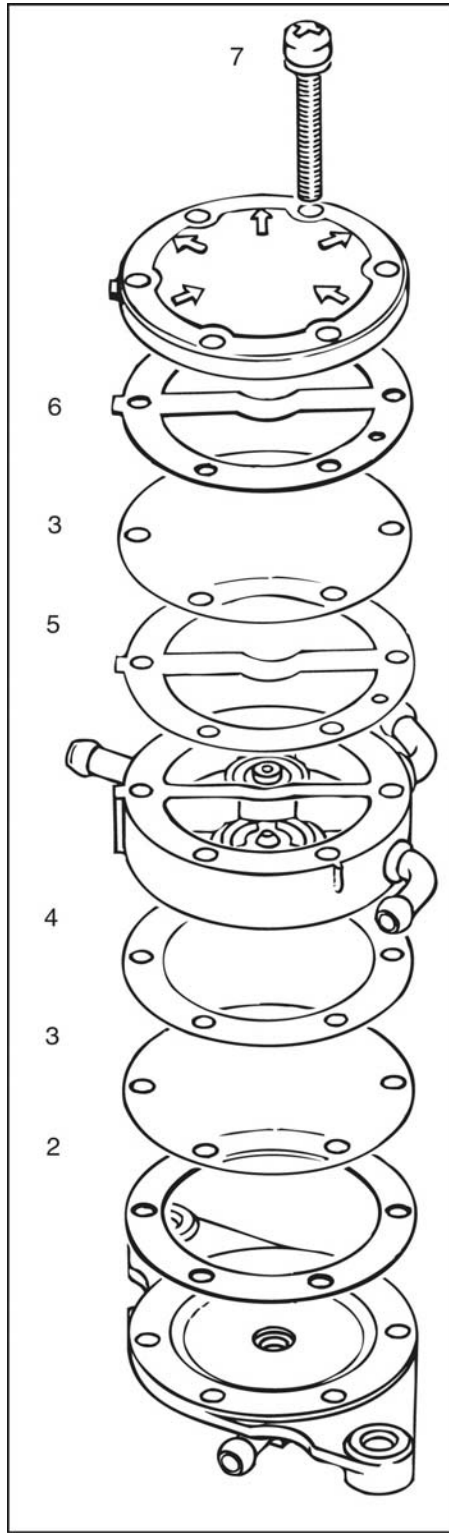
d06630.fm

BRP-Rotax
ILLUSTRATED PARTS CATALOG

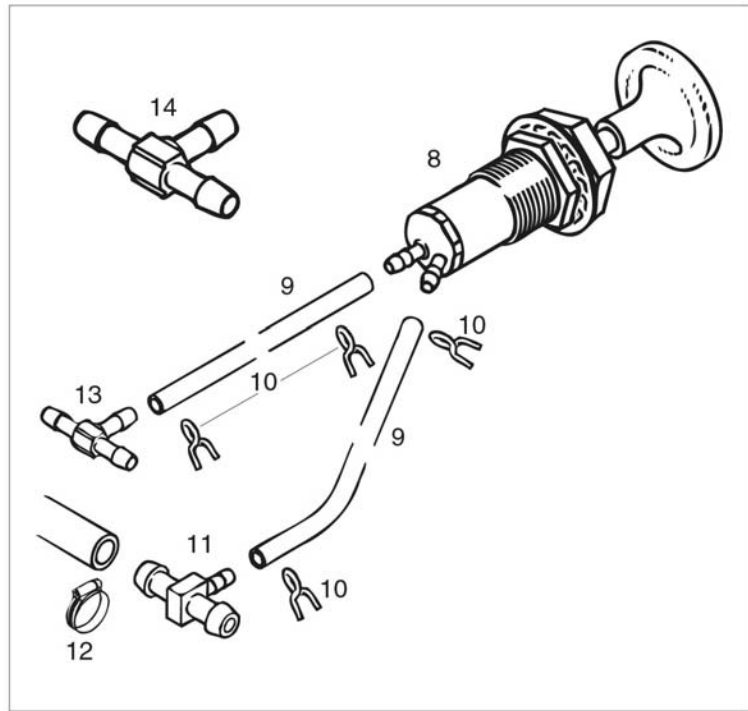
NOTES

d06631.fm

BRP-Rotax
ILLUSTRATED PARTS CATALOG



1-7



8-14

Fig. 73-10-00-4

09060

d06631.fm

BRP-Rotax

ILLUSTRATED PARTS CATALOG

Chapter) 73-10-00

FUEL PUMP, PRIMER-PUMP FOR DOUBLE CARBURETOR

FIG & ITEM NO.	STATUS	PART NO.	INDENT	Description	Parts per Engine	
					582 UL mod. 99	582 UL mod. 17
4 1-7		994486	.1	FUEL PUMP DF 52-48	1	1
2		850441	..2	GASKET	1	1
3		861210	..2	DIAPHRAGM	2	2
4		850445	..2	GASKET	1	1
5		850447	..2	GASKET	1	1
6		850451	..2	GASKET	1	1
7		841035	..2	COMBINED SCREW M4x28	6	6
8-14		861620	.1	PRIMER KIT	1	1
8		861630	..2	PRIMER PUMP	1	1
9		874211	..2	FUEL LINE 3000 MM (118.11 IN)	1	1
10		938195	..2	CLAMP 5	8	8
11		974832	..2	REDUCTION T-PIECE 5-3-5	1	1
12		951898	..2	CLAMP 7-11	2	2
13		974837	..2	T-PIECE 3-3-3	1	1
14		974830	..2	T-PIECE 5-5-5	1	1

- Items not illustrated

d06631.fm

BRP-Rotax
ILLUSTRATED PARTS CATALOG

NOTES

d06631.fm

BRP-Rotax

ILLUSTRATED PARTS CATALOG

Chapter) 75-20-00

2-PIECE RADIATOR SET (LOW CONFIGURATION)

FIG & ITEM NO.	STATUS	PART NO.	INDENT	Description	Parts per Engine	
					582 UL mod. 99	582 UL mod. 17
1 1-23	n.a.	881430	.1	RADIATOR SET	1	1
1		851120	..2	RADIATOR BRACKET RIGHT	1	1
2		851125	..2	RADIATOR BRACKET LEFT	1	1
3		260657	..2	RUBBER BUFFER 25x20xM6	6	6
4		.	..2	RADIATOR WITHOUT FILLER CAP	1a	1a
5		244211	..2	WASHER 6.4	8	8
6		945751	..2	LOCK WASHER A6	8	8
7		242211	..2	HEX. NUT M6	8	8
8		847600	..2	DISTANCE TUBE	1	1
9	s.v.	922115	..2	CONNECTING HOSE 110 MM (4.33 IN)	1	
9	N	922117	..2	CONNECTING HOSE 110 MM (4.33 IN)	1	1
10		951880	..2	CLAMP 20-32	4	4
11		922124	..2	CONNECTING HOSE 150 MM (5.91 IN)	1	1
12		951870	..2	CLAMP 16-25	4	4
13	n.a.	995917	..2	RADIATOR WITH FILLER CAP	1a	1a
14		922072	..2	RADIATOR CAP WITH GASKET 1.2 bar	1	1
15		922193	..2	WATER TUBE	1	1
16		974530	..2	FUEL HOSE A5x8	ARe	ARe
16		.	..2	FUEL TUBE 250 MM (9.84 IN)	1	
17		866710	..2	TIE WRAP 142x2.5 MM	2	
18		956260	..2	LOW PRESSURE HOSE GC 7.5x12.5	ARe	
18		.	..2	RADIATOR HOSE 95 MM (3.74 IN)	2	
19		974839	..2	REDUCTION T-PIECE 8-6-8	1	
20		951241	..2	CLAMP 12	4	4

- Items not illustrated

d06632.fm

BRP-Rotax
ILLUSTRATED PARTS CATALOG

FIG & ITEM NO.	STATUS	PART NO.	INDENT	Description	Parts per Engine	
					582 UL mod. 99	582 UL mod. 17
21		860300	..2	LOW PRESSURE HOSE GC 6x11	ARe	ARe
21		.	..2	LOW PRESSURE HOSE 335 MM (13.19 IN)	1	1
22		951898	..2	CLAMP 7-11	2	2
23		922113	..2	BENT HOSE	1	1
24		847760	.1	THREADED SPACER M6/M10	2b	2b
24		847730	.1	SPACER 6.5/18/9	2c	2c
25		922061	.1	BENT OUTLET SOCKET	1	1
26		240480	.1	PLUG SCREW 1/8-27 NPT	1	
26		240481	.1	PLUG SCREW 1/8-27 NPT	1	1
27		922502	.1	WATER PUMP HOUSING	1	1
28		230415	.1	SEALING RING A 6x10	2	2
29	N	841581	.1	HEX. SCREW M6x8	2	2
30		940551	.1	HOSE NIPPLE	1d	1d

- Items not illustrated

- a Cooling surface 37.2 in²
- b From engine S/N 3916823
- c Up to engine S/N 4916822 inclusive.
- d For evacuation of air, at installation of engine with spark plugs down.
- e In a roll.

d06632.fm

BRP-Rotax
ILLUSTRATED PARTS CATALOG

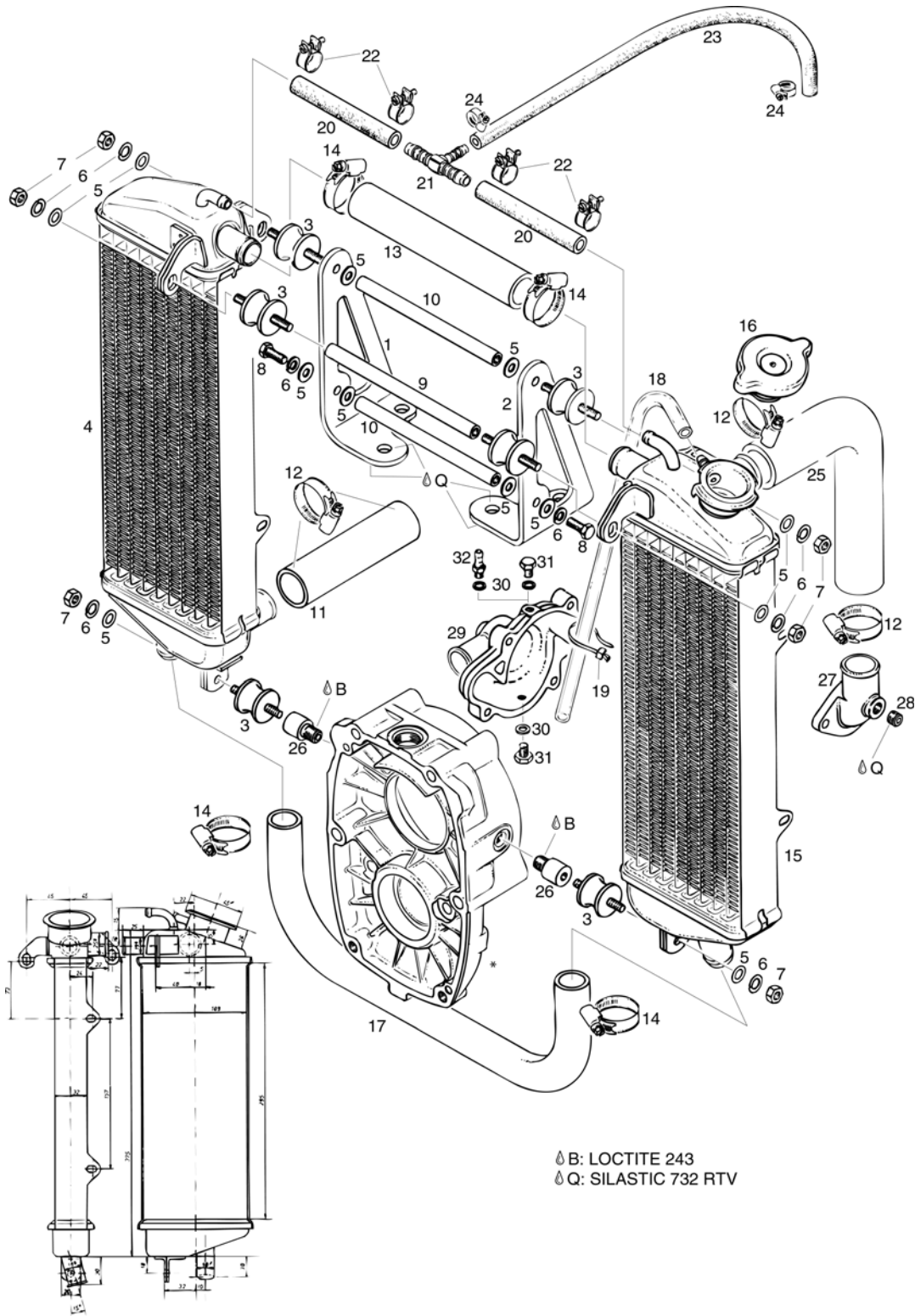


Fig. 75-20-00-2

d06633.fm

10297

BRP-Rotax

ILLUSTRATED PARTS CATALOG

Chapter) 75-20-00 2-PIECE RADIATOR SET (HIGH CONFIGURATION)

FIG & ITEM NO.	STATUS	PART NO.	INDENT	Description	Parts per Engine	
					582 UL mod. 99	582 UL mod. 17
2	1-25	881433	.1	RADIATOR SET	1	1
1		851122	..2	RADIATOR BRACKET RIGHT	1	1
2		851127	..2	RADIATOR BRACKET LEFT	1	1
3		260657	..2	RUBBER BUFFER 25x20xM6	6	6
4		686330	..2	RADIATOR WITHOUT FILLER CAP	1a	1a
5		244211	..2	WASHER 6.4	12	12
6		945751	..2	LOCK WASHER A6	8	8
7		242211	..2	HEX. NUT M6	6	6
8	s.v.	241186	..2	HEX. SCREW M6x16	2	2
8	N	241187	..2	HEX. SCREW M6x16	2	2
9		847600	..2	DISTANCE TUBE	1	1
10		847605	..2	DISTANCE BOLT	2	2
11	s.v.	922115	..2	CONNECTING HOSE 110 MM (4.33 IN)	1	
11	N	922117	..2	CONNECTING HOSE 110 MM (4.33 IN)	1	1
12		951880	..2	CLAMP 20-32	4	4
13		922124	..2	CONNECTING HOSE 150 MM (5.91 IN)	1	1
14		951870	..2	CLAMP 16-25	4	4
15		686335	..2	RADIATOR WITH FILLER CAP	1a	1a
16		922072	..2	RADIATOR CAP WITH GASKET 1.2 bar	1	1
17		922193	..2	WATER TUBE	1	1
18		974530	..2	FUEL HOSE A5x8	ARd	ARd
18		.	..2	FUEL TUBE 250 MM (9.84 IN)	1	1
19		866710	..2	TIE WRAP 142x2.5 MM	1	1
20		956260	..2	LOW PRESSURE HOSE GC 7.5x12.5	1	1

- Items not illustrated

d06633.fm

BRP-Rotax
ILLUSTRATED PARTS CATALOG

FIG & ITEM NO.	STATUS	PART NO.	INDENT	Description	Parts per Engine	
					582 UL mod. 99	582 UL mod. 17
20		.	..2	RADIATOR HOSE 95 MM (3.74 IN)	2	2
21		974839	..2	REDUCTION T-PEACE 8-6-8	1	1
22		951241	..2	CLAMP 12	4	4
23		860300	..2	LOW PRESSURE HOSE GC 6x11	ARd	ARd
23		.	..2	LOW PRESSURE HOSE 365 MM (14.37 IN)	1	1
24		951898	..2	CLAMP 7-11	2	2
25		922382	..2	BENT HOSE 25/90 DEGR.	1	1
26		847730	.1	SPACER 6.5/18/9	2b	2b
27		922061	.1	BENT OUTLET SOCKET	1	1
28	s.v.	240480	.1	PLUG SCREW 1/8-27 NPT	1	1
28	N	240481	.1	PLUG SCREW 1/8-27 NPT	1	1
29		922503	.1	WATER PUMP HOUSING	1	1
30		230415	.1	SEALING RING A 6x10	2	2
31		841580	.1	HEX. SCREW M6x8	2	2
31		841581	.1	HEX. SCREW M6x8	2	2
32		940551	.1	HOSE NIPPLE M6	1c	1c

- Items not illustrated

- a Cooling surface 49.6 in²
- b Up to engine S/N 4916822 inclusive.
- c For evacuation of air, at installation of engine with spark plugs down.
- d In a roll.

d06633.fm

BRP-Rotax
ILLUSTRATED PARTS CATALOG

NOTES

d06633.fm

BRP-Rotax
ILLUSTRATED PARTS CATALOG

NOTES

d06634.fm

BRP-Rotax
ILLUSTRATED PARTS CATALOG

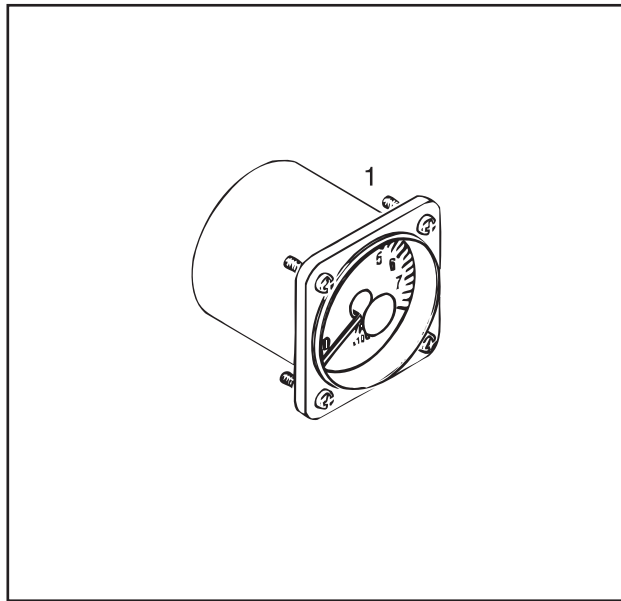


Fig. 76-20-00-1

08621

d06634.fm

BRP-Rotax

ILLUSTRATED PARTS CATALOG

Chapter) 76-20-00

INSTRUMENTS

Engine Type 582 UL mod. 99 conforms starting from engine S/N 6 140 347 the requirements of the ASTM 2339-04 classification.

Some components and accessory parts are not compliant -refer to section 00-00-00.

FIG & ITEM NO.	STATUS	PART NO.	INDENT	Description	Parts per Engine	
					582 UL mod. 99	582 UL mod. 17
1 1		966405	.1	REVOLUTION COUNTER 0-8000 R.P.M	1	1

- Items not illustrated

BRP-Rotax
ILLUSTRATED PARTS CATALOG

NOTES

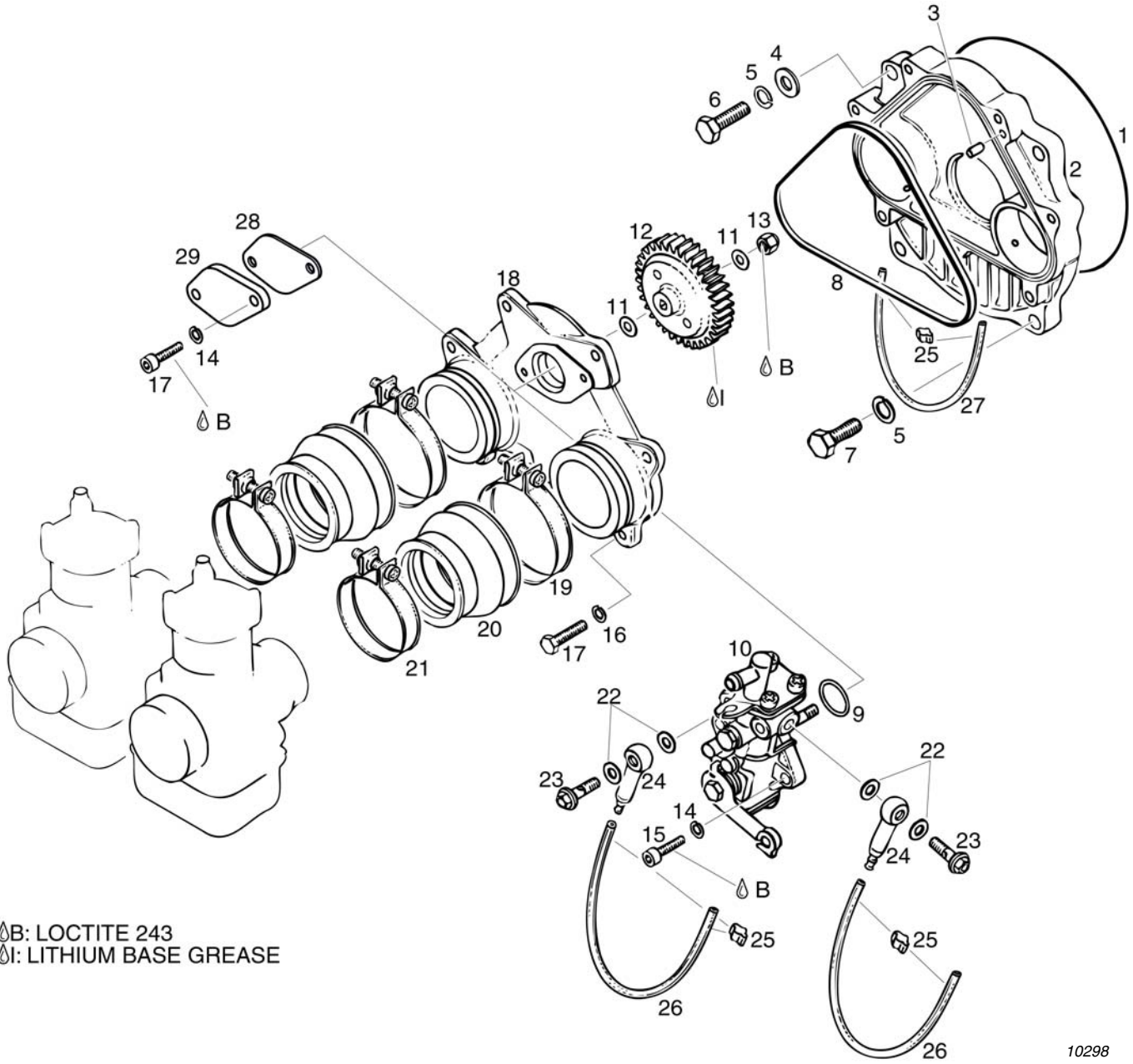
d06634.fm

BRP-Rotax
ILLUSTRATED PARTS CATALOG

NOTES

d06635.fm

BRP-Rotax
ILLUSTRATED PARTS CATALOG



ⒻB: LOCTITE 243
ⒻI: LITHIUM BASE GREASE

10298

Fig. 79-20-00-2

d06635.fm

BRP-Rotax

ILLUSTRATED PARTS CATALOG

Chapter) 79-20-00

ROTARY VALVE COVER, OIL PUMP DRIVE, OIL PUMP

FIG & ITEM NO.	STATUS	PART NO.	INDENT	Description	Parts per Engine	
					582 UL mod. 99	582 UL mod. 17
2 1		831360	.1	O-RING 132-1.7	1	1
2		811941	.1	ROTARY VALVE COVER ASSY.	1c	1c
3		929560	.1	DOWEL TUBE 2x8	1	1
4		250315	.1	WASHER 8.4	2	2
5	N	945832	.1	LOCK WASHER A8	4	4
6		240276	.1	HEX. SCREW M8x25 Tightening torque 20 Nm (177 in.lb)	2	2
7	s.v.	940591	.1	HEX. SCREW M8x20 Tightening torque 20 Nm (177 in.lb)	2	2
7	N	940592	.1	HEX. SCREW M8x20 Tightening torque 20 Nm (177 in.lb)	2	2
8		831700	.1	RUBBER RING 126x1.5x3.5	1	1
9		230370	.1	O-RING 18x1.3	1	1
10		995527	.1	OIL PUMP ASSY.	1	1
11		927945	.1	WASHER 6.2/12/1	2	2
12		935940	.1	OIL PUMP GEAR 44 T.	1	1
13		842040	.1	LOCK NUT M6 Tightening torque 8 Nm (70 in.lb)	1	1
14		945750	.1	LOCK WASHER A5	2	2
15		240761	.1	SLOTTED HEAD SCREW M5x16	2	2
16		945751	.1	LOCK WASHER A6	7	7
17		940561	.1	HEX. SCREW M6x20	7	7
18		910320	.1	PUMP MOUNTING FLANGE	1	1
19		851065	.1	CLAMP 62	2	2
20		867696	.1	CARBURETOR SOCKET	2	2
21		951400	.1	HOSE CLAMP 53	2	2

- Items not illustrated

d06635.fm

BRP-Rotax
ILLUSTRATED PARTS CATALOG

FIG & ITEM NO.	STATUS	PART NO.	INDENT	Description	Parts per Engine	
					582 UL mod. 99	582 UL mod. 17
22		227500	.1	GASKET RING 6.2/12/1	4	4
23		241830	.1	BANJO BOLT M6x12	2	2
24		956010	.1	CHECK VALVE ASSY.	2	2
25		853840	.1	CLAMP 3-5 MM (0.12-0.20 IN)	AR	AR
26-27	s.v. N	960040 201240	.1	OIL LINE 2.2+/-0.1x4.3+0.4	ARb	ARb
26		-	..2	OIL LINE 170 MM (6.69 IN)	2b	2b
27		-	..2	OIL LINE 120 MM (4.27 IN)	1b	1b
28		931566	.1	GASKET	1a	1a
29		810827	.1	COVER PLATE	1a	1a

- Items not illustrated

- a For configuration without oil pump.
- b In a roll.
- c From engine S/N 5381289.

d06635.fm

BRP-Rotax

ILLUSTRATED PARTS CATALOG

Chapter) 80-10-00

ELECTRIC STARTER-SINGLE PARTS, CONFIGURATION MAGNETO SIDE

FIG & ITEM NO.	STATUS	PART NO.	INDENT	Description	Parts per Engine	
					582 UL mod. 99	582 UL mod. 17
3 1-26		995431	.1	ELECTRIC STARTER ASSY.	1	1
1-2		866880	..2	DRIVE HOUSING ASSY.	1	1
2		.	..2	BUSHING	1a	1a
3		866870	..2	ROTOR ASSY.	1	1
4		927057	..2	TRUST WASHER 15.3/24/1	1	1
5		866850	..2	OVERRUNNING-CLUTCH DRIVE ASSY.	1	1
6		939030	..2	SPRING	1	1
7		927040	..2	STOP COLLAR	1	1
8		845360	..2	CIRCLIP	1	1
9		850500	..2	O-RING 62-1.5	2	2
10		866860	..2	YOKE ASSY.	1	1
11		860600	..2	VENTING RUBBER	1	1
12		827600	..2	SHIM	AR	AR
13		.	..2	END FRAME WITH SLEEVE	1b	1b
14		.	..2	BUSHING	1c	1c
15		866892	..2	CARBON BRUSH WITH SCREW	1	1
16		260820	..2	ISOLATING BUSHING	1	1
17		230530	..2	O-RING 6x1.7	1	1
18		260800	..2	CONNECTOR SHEATH	1	1
19		242780	..2	COMBINED NUT M6	1	1
20-22		866890	..2	BRUSH HOLDER WITH SPRINGS	1	1
21		.	..2	BRUSH	1d	1d
22		.	..2	SPRING	1e	1e
23		841860	..2	SCREW M5	2	2

- Items not illustrated

d06636.fra

BRP-Rotax
ILLUSTRATED PARTS CATALOG

FIG & ITEM NO.	STATUS	PART NO.	INDENT	Description	Parts per Engine	
					582 UL mod. 99	582 UL mod. 17
24		945750	..2	LOCK WASHER A5	2	2
25		827800	..2	WASHER A 5.5	2	2
26		850510	..2	O-RING 4.7x1.4	2	2
27		945751	.1	LOCK WAHSER A6	1	1
28		242211	.1	HEX. NUT M6	1	1

- Items not illustrated

- a Bushing, not available as spare part, usw drive housing assy. part no. 866880.
- b End frame with sleeve, not available as spare part, use end frame assy. part no. 866900.
- c Bushing, not available as spare part, use drive housing assy. part no. 866900.
- d Brush, not available as spare part, use brush holder assy. part no. 866890.

d06636.fm

BRP-Rotax

ILLUSTRATED PARTS CATALOG

Chapter) 80-10-00

ELECTRIC STARTER-SINGLE PARTS, INT. IN REDUCTION GEAR "E"

FIG & ITEM NO.	STATUS	PART NO.	INDENT	Description	Parts per Engine	
					582 UL mod. 99	582 UL mod. 17
1 1		685975	.1	ELECTRIC STARTER ASSY.	1	1
2		.	.1	SUPPORT	1	1
3		250140	.1	O-RING 24.4x3.1-N NBR70	1	1
4		850500	.1	O-RING 62x1.5-N, NBR70	1	1
5		.	.1	ROTOR ASSY.	1	1
6		827600	.1	SHIM	AR	AR
7	n.a.	264151	.1	STATOR YOKE ASSY.	1	1
8		.	.1	ROTOR SUPPORT ASSY.	1	1
9		264184	.1	CARBON BRUSH ASSY.	1	1
10		260810	.1	CONNECTOR SHEATH	1	1
11		230530	.1	O-RING 6x1.7	1	1
12		260800	.1	CONNECTOR SHEATH	1	1
13		242780	.1	COMBINED NUT M6	1	1
14-16		866891	.1	BRUSH HOLDER WITH SPRING	1	1
15		.	..2	SPRING	1a	1a
16		.	..2	BRUSH	1a	1a
17	n.a.	241137	.1	HEX. COLLAR SCREW M5x100	2	2
18		850510	.1	O-RING 4.7x1.4	2	2
19		232260	.1	B. BEARING R6002 Z	1	1

- Items not illustrated

a Brush - not available as spare part, use brush holder assy. 866891.

d06637.fm

BRP-Rotax
ILLUSTRATED PARTS CATALOG

NOTES

d06637.fm