

BRP-Rotax

ILLUSTRATED PARTS CATALOG

Chapter) LEP

LIST OF EFFECTIVE PAGES

Chapter	Page	Date
	Title page	January 01 2017
TOC	TOC -1	January 01 2017
	TOC- 2	January 01 2017
	TOC -3	January 01 2017
	TOC -4	January 01 2017
00-00-00	1	January 01 2017
	2	January 01 2017
	3	January 01 2017
	4	January 01 2017
	5	January 01 2017
	6	January 01 2017
	7	January 01 2017
	8	January 01 2017
	9	January 01 2017
	10	January 01 2017
	11	January 01 2017
	12	January 01 2017
	13	January 01 2017
	14	January 01 2017
	15	January 01 2017
	16	January 01 2017
	17	January 01 2017
	18	January 01 2017
	19	January 01 2017
	20	January 01 2017
	21	January 01 2017
	22	January 01 2017
	23	January 01 2017
	24	January 01 2017
LEP	LEP - 1	March 01 2017
	LEP - 2	March 01 2017
	LEP - 3	March 01 2017
	LEP - 4	January 01 2017
TOA	TOA - 1	March 01 2017
	TOA - 2	March 01 2017
24-20-00	1	January 01 2017
	2	January 01 2017
	3	January 01 2017
	4	March 01 2017
	5	January 01 2017
	6	January 01 2017

Chapter	Page	Date
24-30-00	1	January 01 2017
	2	January 01 2017
	3	January 01 2017
	4	January 01 2017
37-10-00	1	January 01 2017
	2	January 01 2017
	3	January 01 2017
	4	January 01 2017
61-20-00	1	January 01 2017
	2	January 01 2017
	3	January 01 2017
	4	January 01 2017
71-20-00	1	January 01 2017
	2	January 01 2017
	3	January 01 2017
	4	January 01 2017
72-10-00	1	January 01 2017
	2	January 01 2017
	3	January 01 2017
	4	January 01 2017
	5	January 01 2017
	6	January 01 2017
	7	March 01 2017
	8	March 01 2017
	9	January 01 2017
	10	January 01 2017
	11	January 01 2017
	12	January 01 2017

d06428.fm

BRP-Rotax

ILLUSTRATED PARTS CATALOG

Chapter	Page	Date
72-20-00	1	January 01 2017
	2	January 01 2017
	3	January 01 2017
	4	January 01 2017
	5	January 01 2017
	6	January 01 2017
	7	January 01 2017
	8	January 01 2017
	9	January 01 2017
	10	January 01 2017
	11	January 01 2017
	12	January 01 2017
	13	March 01 2017
	14	January 01 2017
	15	January 01 2017
	16	January 01 2017
	17	January 01 2017
	18	January 01 2017
	19	January 01 2017
	20	January 01 2017
	21	January 01 2017
	22	January 01 2017
73-00-00	1	January 01 2017
	2	January 01 2017
	3	January 01 2017
	4	January 01 2017
	5	January 01 2017
	6	January 01 2017
	7	January 01 2017
	8	January 01 2017
	9	January 01 2017
	10	January 01 2017
	11	January 01 2017
	12	January 01 2017
	13	January 01 2017
	14	January 01 2017
	15	January 01 2017
	16	January 01 2017

Chapter	Page	Date
73-10-00	1	January 01 2017
	2	January 01 2017
	3	January 01 2017
	4	January 01 2017
	5	January 01 2017
	6	January 01 2017
	7	January 01 2017
	8	January 01 2017
	9	January 01 2017
	10	January 01 2017
	11	January 01 2017
	12	January 01 2017
	13	January 01 2017
	14	January 01 2017
	15	January 01 2017
	16	January 01 2017
	17	January 01 2017
	18	January 01 2017
	19	January 01 2017
	20	January 01 2017
74-20-00	1	January 01 2017
	2	January 01 2017
	3	January 01 2017
	4	January 01 2017
	5	January 01 2017
	6	January 01 2017
	7	January 01 2017
	8	January 01 2017
	9	January 01 2017
	10	January 01 2017
75-20-00	1	January 01 2017
	2	January 01 2017
	3	January 01 2017
	4	January 01 2017
	5	January 01 2017
	6	January 01 2017
	7	January 01 2017
	8	January 01 2017
	9	January 01 2017
	10	January 01 2017
	11	January 01 2017
	12	January 01 2017
76-10-00	1	January 01 2017
	2	January 01 2017
	3	January 01 2017
	4	January 01 2017

d06428.fm

BRP-Rotax

ILLUSTRATED PARTS CATALOG

Chapter	Page	Date
76-20-00	1	January 01 2017
	2	January 01 2017
	3	January 01 2017
	4	January 01 2017
	5	January 01 2017
	6	January 01 2017
78-10-00	1	January 01 2017
	2	January 01 2017
	3	January 01 2017
	4	January 01 2017
	5	January 01 2017
	6	January 01 2017
	7	January 01 2017
	8	January 01 2017
	9	January 01 2017
	10	January 01 2017
	11	January 01 2017
	12	January 01 2017
79-20-00	1	January 01 2017
	2	January 01 2017
	3	January 01 2017
	4	January 01 2017
	5	January 01 2017
	6	January 01 2017
	7	January 01 2017
	8	March 01 2017
	9	January 01 2017
	10	January 01 2017
	11	January 01 2017
	12	January 01 2017
	13	January 01 2017
	14	January 01 2017
	15	January 01 2017
	16	January 01 2017
80-10-00	1	January 01 2017
	2	January 01 2017
	3	January 01 2017
	4	January 01 2017
	5	January 01 2017
	6	January 01 2017
	7	January 01 2017
	8	January 01 2017
	9	January 01 2017
	10	January 01 2017

d06428.fm

BRP-Rotax
ILLUSTRATED PARTS CATALOG

NOTES

d06428.fm

BRP-Rotax

ILLUSTRATED PARTS CATALOG

Chapter) TOA

TABLE OF AMENDMENTS

Approval*

The technical content of this document is approved
under the authority of DOA ref. EASA.21J.048.

current no.	chapter	page	date of change	remark of approval	date of approval from authorities	date of issue	signature
0	TOC	alle/all	January 01 2017	DOA*			
0	00-00-00	alle/all	January 01 2017	DOA*			
0	LEP	alle/all	January 01 2017	DOA*			
0	TOA	alle/all	January 01 2017	DOA*			
0	24-20-00	alle/all	January 01 2017	DOA*			
0	24-30-00	alle/all	January 01 2017	DOA*			
0	37-10-00	alle/all	January 01 2017	DOA*			
0	61-20-00	alle/all	January 01 2017	DOA*			
0	71-20-00	alle/all	January 01 2017	DOA*			
0	72-10-00	alle/all	January 01 2017	DOA*			
0	72-20-00	alle/all	January 01 2017	DOA*			
0	73-00-00	alle/all	January 01 2017	DOA*			
0	73-10-00	alle/all	January 01 2017	DOA*			
0	74-20-00	alle/all	January 01 2017	DOA*			
0	75-20-00	alle/all	January 01 2017	DOA*			
0	76-10-00	alle/all	January 01 2017	DOA*			
0	76-20-00	alle/all	January 01 2017	DOA*			
0	78-10-00	alle/all	January 01 2017	DOA*			
0	79-20-00	alle/all	January 01 2017	DOA*			
0	80-10-00	alle/all	January 01 2017	DOA*			
1	LEP	1,2,3	March 01 2017	DOA*			
1	TOA	1,2	March 01 2017	DOA*			
1	24-20-00	4	March 01 2017	DOA*			
1	72-10-00	7,8	March 01 2017	DOA*			
1	72-20-00	13	March 01 2017	DOA*			
1	79-20-00	8	March 01 2017	DOA*			

d06429.fm

BRP-Rotax

ILLUSTRATED PARTS CATALOG

Chapter) TOA

Content

Summary of the relevant amendments in this context, but makes no claim to completeness.

current no.	chapter	page	date of change	comments
0	all	all	January 01/2017	New layout: documentation main language = English, upgrade of part numbers / part description and figures
1	24-20-00	4	March 01/2017	Correction of description
1	72-10-00	7	March 01/2017	Correction of part number
1	72-20-00	13	March 01/2017	Correction of legend
1	79-20-00	8	March 01/2017	Correction of illustration

BRP-Rotax
ILLUSTRATED PARTS CATALOG

912 and 914 series NEW VERSION

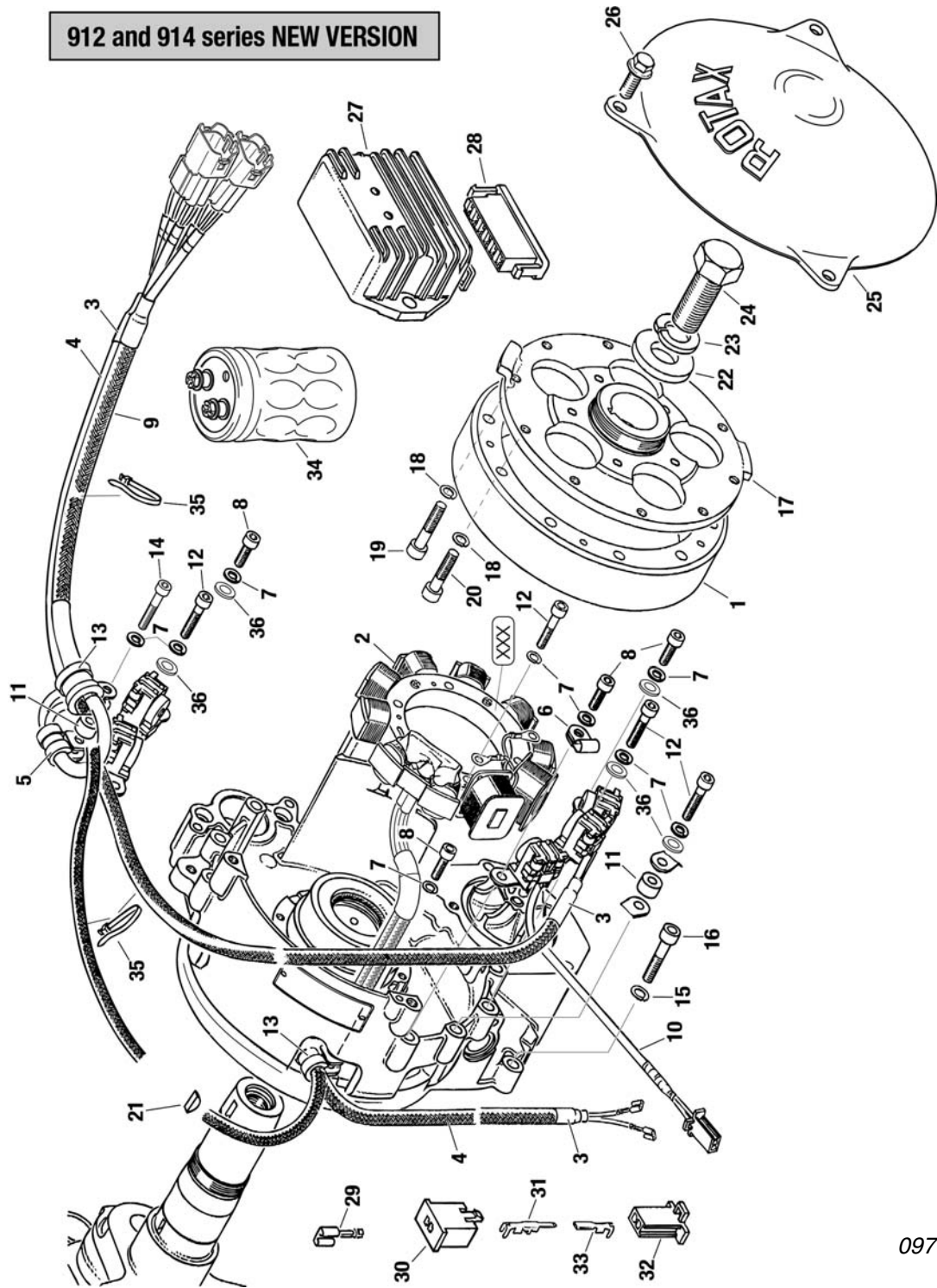


Fig. 24-20-00-2

09774

d06430.fm

BRP-Rotax

ILLUSTRATED PARTS CATALOG

Chapter) 24-20-00

MAGNETO-GENERATOR, PICK UP, RECTIFIER REGULATOR

FIG & ITEM NO.	STATUS	PART NO.	INDENT	Description	Parts per Engine						
					912 A	912 F	912 S	912 UL	912 ULS	914 F	914 UL
1, 2		965192	.1	MAGNETO RING	1	1	1	1	1	1	1
2-6		888671	.1	STATOR ASSY.			1a		1a		
2-6		888675	.1	STATOR ASSY.	1a	1a		1a		1a	1a
2-6		891095	.1	STATOR ASSY.	1c	1c	1c	1c	1c	1c	1c
3		860530	..2	SHRINK HOSE	AR	AR	AR	AR	AR	AR	AR
4		965623	..2	SCREENING METAL BRAID	AR	AR	AR	AR	AR	AR	AR
5		851111	.1	CABLE CLAMP 8/M5	1	1	1	1	1	1	1
6		851565	.1	CABLE CLAMP 7/M5	1	1	1	1	1	1	1
7		945750	.1	LOCK WASHER A5.	12	12	12	12	12	12	12
8		840511	.1	ALLEN SCREW M5x16	4	4	4	4	4	4	4
9,36		965176	.1	TRIGGER COIL KIT 4-POLE	1e	1e	1e	1e	1e	1e	1e
9,36		965179	.1	TRIGGER COIL KIT 6-POLE	1d	1d	1d	1d	1d	1d	1d
10		264087	.1	TRIGGER COIL ASSY.	1f	1f	1f	1f	1f	1f	1f
11		847660	.1	SPACER 5.2/12/7.4	4	4	4	4	4	4	4
12		240186	.1	ALLEN SCREW M5x25	7	7	7	7	7	7	7
13		851250	.1	CABLE CLAMP 15/M5	2	2	2	2	2	2	2
14		940881	.1	ALLEN SCREW M5x30	1	1	1	1	1	1	1
15		827961	.1	WASHER 6.4	7	7	7	7	7	7	7
15	s.v.	945751	.1	LOCK WASHER A6	7	7	7	7	7	7	7
16		xxxxxx	.1	see Chapt. 75-20-00	7	7	7	7	7	7	7
17	s.v.	966871	.1	FLY WHEEL HUB	1	1	1	1	1		
17		966872	.1	FLY WHEEL HUB	1b	1b	1b	1b	1b		
17		966877	.1	FLY WHEEL HUB						1	1
18		845381	.1	LOCK WASHER A6	10	10	10	10	10	10	10

- Items not illustrated

d06430.fm

BRP-Rotax

ILLUSTRATED PARTS CATALOG

FIG & ITEM NO.	STATUS	PART NO.	INDENT	Description	Parts per Engine						
					912 A	912 F	912 S	912 UL	912 ULS	914 F	914 UL
25		429230	.1	DOWEL 6x20	2	2	2	2	2	2	2
26		944131	.1	WASHER 8	2	2	2	2	2	2	2
27	N	841562	.1	ALLEN SCREW M8x45	2	2	2	2	2	2	2
27	s.v.	841561	.1	ALLEN SCREW M8x45	2	2	2	2	2	2	2
27	n.a.	940077	.1	HEX./TORX SCREW M8x45	2	2	2	2	2	2	2
28	N	827961	.1	WASHER 6.4	8	8	8	8	8	8	8
28	s.v.	945751	.1	LOCK WASHER A6	8	8	8	8	8	8	8
29		241821	.1	ALLEN SCREW M6x45	8	8	8	8	8	8	8
30		940361	.1	STUD M8x23/14	2	2	2	2	2		
31		926151	.1	COVER						1	1
32		945752	.1	LOCK WASHER A8	2	2	2	2	2	2	2
33		940591	.1	HEX. SCREW M8x20						2k	2k
34		950200	.1	OIL SEAL 30x52x7	1	1	1	1	1	1	1
35		430175	.1	O-RING 46x3	1	1	1	1	1	1	1
36		810301	.1	OIL INLET FLANGE	1	1	1	1	1	1	1
37		810306	.1	OIL INLET COVER	1	1	1	1	1	1	1
38		232241	.1	ROLLER BEARING NJ 205 ECP C3	1	1	1	1	1	1	1
39		945820	.1	RETAINING RING 52x2	1	1	1	1	1	1	1
40		827837	.1	COVER DISK	AR	AR	AR	AR	AR	AR	AR
41		842634	.1	ROUND-NECK NUT SET M8	1i	1i	1i	1i	1i	1i	1i
42		842638	.1	ROUND-NECK NUT SET 5/16-24 UNF	1i	1i	1i	1i	1i	1i	1i
42		842639	.1	ROUND-NECK NUT SET 5/16-20 UNF	1i	1i	1i	1i	1i	1i	1i
43		244980	.1	SEALING COVER	1	1	1	1	1	1	1

- A For version 2 with narrow dog gear (22 mm / 0.87 in.)
- B For version 3 with narrow dog gear (22 mm / 0.87 in.)
- C For version 4 with narrow dog gear (22 mm / 0.87 in.)

d06431.fm

BRP-Rotax

ILLUSTRATED PARTS CATALOG

- D For version 2 with wide dog gear (27 mm / 1.06 in.); For 914 use only from following engine S/N:
914 F: 4,420.164
914 UL: 4,417.791
- E For version 3 with wide dog gear (27 mm / 1.06 in.); For 914 use only from following engine S/N:
914 F: 4,420.164
914 UL: 4,417.791
- F For version 4 with wide dog gear (27 mm / 1.06 in.); For 914 use only from following engine S/N:
914 F: 4,420.164
914 UL: 4,417.791
- G Replacement for 887701 with wide dog gear
- H Replacement for 887706 with wide dog gear
- I Replacement for 887711 with wide dog gear
- J Replacement for 887680 with wide dog gear
- K Replacement for 888565 with wide dog gear
- a Drive gear 22 T. and reduction gear 50 T. are paired and must be replaced together and marked with S/N. See SL-912-002 resp. SL-914-002.
- b Drive gear 21 T. and reduction gear 51 T. are paired and must be replaced together and marked with S/N. With wide dog gear (27 mm / 1.06 in.); See SL-912-002 resp. SL-914-002; For 914 use only from following engine S/N:
912 S: starting with serial production
912 ULS: starting with serial production
914 F: 4,420.164
914 UL: 4,417.791
- c For model 2 marked with S/N
- d For model 3 marked with S/N
- e For model 4 marked with S/N
- f For gear sets part no. 886125 and 886517; (narrow versions)
- g For gear set part no. 886518; (wide version)
- h Drive gear 21 T. and reduction gear 51 T. are paired and must be replaced together and marked with S/N. With thin dog gear (22 mm / 0.87 in.); See SL-912-002 resp. SL-014-002; For 914 use only up to S/N:

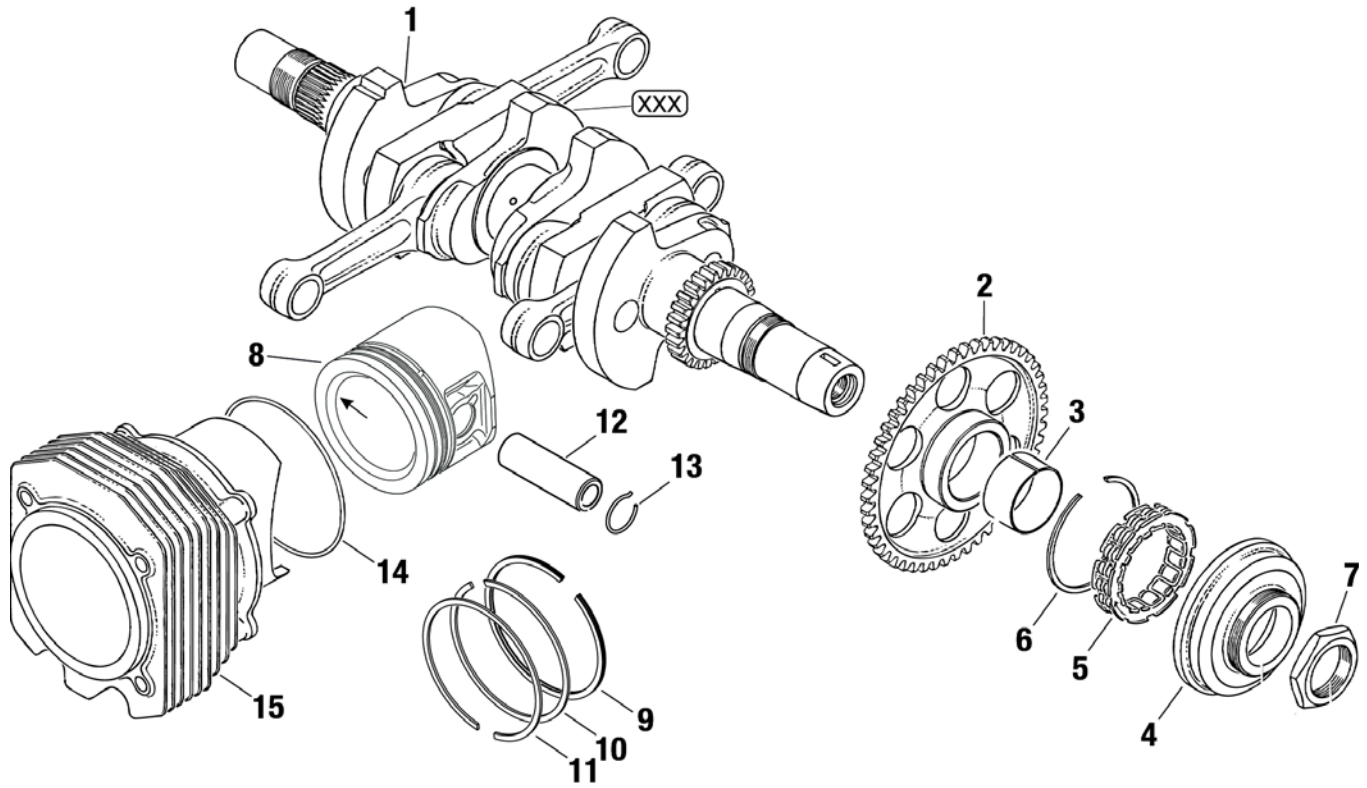
914 F: 4,420.163
914 UL: 4,417.790
- i Do not use at version with auxiliary alternator; only available as a set (includes 6 pieces).
- j Only when a governor is used;
- k Version without governor: 2x940.591; with governor: see chapt. 61-20-00
- l Dog hub with extended hub
- m With additional bores to drain lead
- n Increased support bearing diameter
- o See SL-912-002 current issue

BRP-Rotax

ILLUSTRATED PARTS CATALOG

- c Tolerance group "D" 1.830 -1.839 mm
- d See Overhaul Manual of the respective engine type, current issue.

BRP-Rotax
ILLUSTRATED PARTS CATALOG



09766

Fig. 72-20-00-4

BRP-Rotax

ILLUSTRATED PARTS CATALOG

Chapter) 79-20-00

OIL PUMP ASSY., OIL FILTER, OIL TEMPERATURE SENSOR, OIL PRESSURE SENSOR

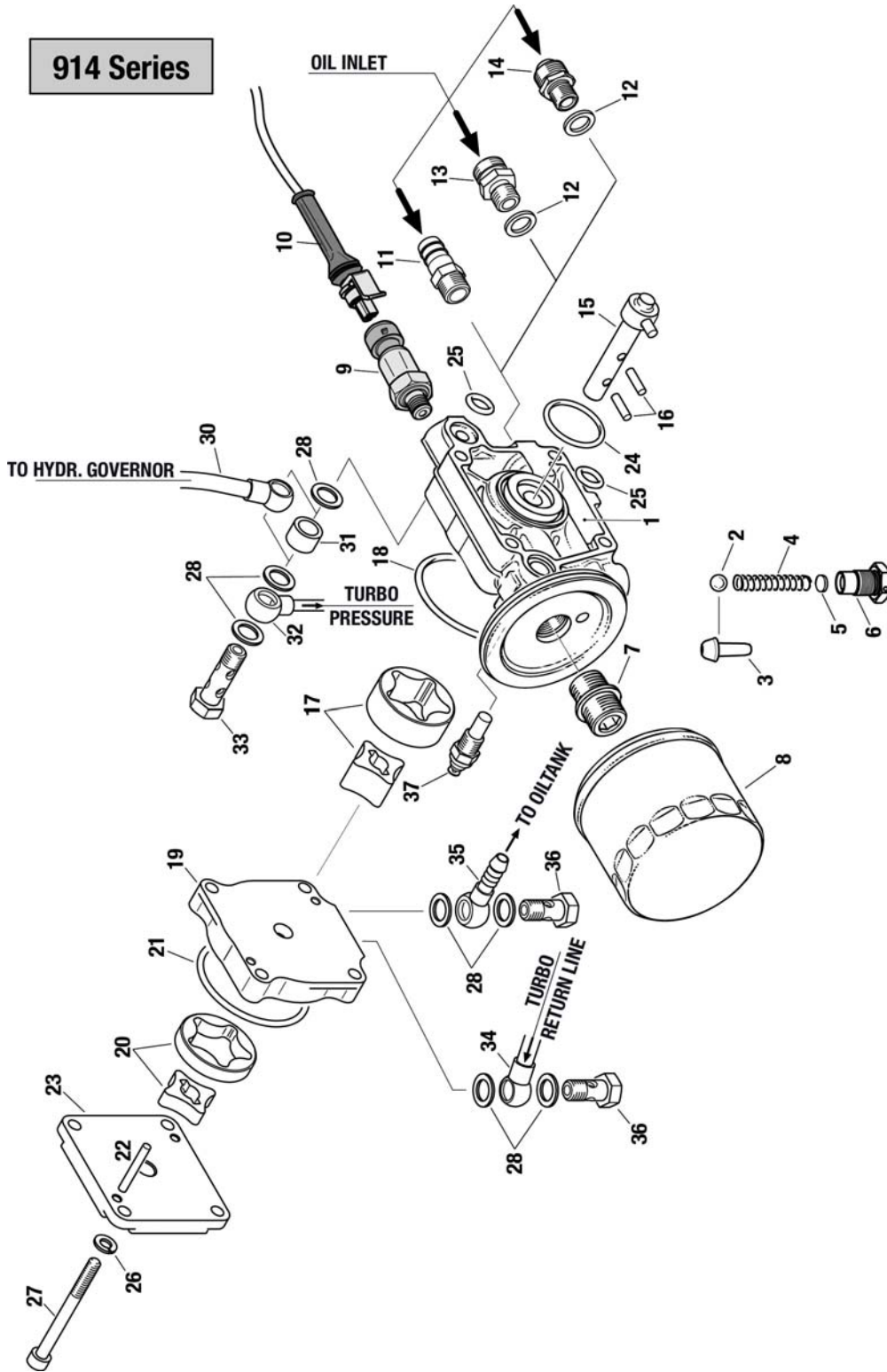
FIG. & ITEM NO.	STATUS	PART NO.	INDENT	Description	Parts per Engine						
					912 A	912 F	912 S	912 UL	912 ULS	914 F	914 UL
2, 1 3		911815	.1	OIL PUMPE HOUSING ASSY.	1	1	1	1	1	1	1
2		432680	.1	BALL 8.5 MM	1	1	1	1	1	1	1
3		857230	.1	VALVE PISTON	(1)	(1)	(1)	(1)	(1)	(1)	(1)
4		838122	.1	PRESSURE SPRING DM 7.1 D 0.9 L 39.5	1	1	1	1	1	1	1
5		227055	.1	SHIM 8.2x1.5	AR	AR	AR	AR	AR	AR	AR
6		841983	.1	PLUG SCREW M12x1	1b	1b	1b	1b	1b	1b	1b
7		924424	.1	OIL FILTER NIPPLE	1a	1a	1a	1a	1a	1a	1a
8	N n.a.	825016 825012	.1	OIL FILTER	1	1	1	1	1	1	1
9		956413	.1	OIL PRESSURE SENSOR	1	1	1	1	1	1	1
9		456180	.1	OIL PRESSURE SENSOR ASSY.	1c	1c	1c	1c	1c	1c	1c
10		864250	.1	OIL PRESSURE SENSOR WIRE ASSY.	1c	1c	1c	1c	1c	1c	1c

- Items not illustrated

- a thread 3/4-16 UNF for oil filter 3 mm extended.
- b with optimized spring routing
- c see SI 912-020/914-022

d06433.fm

BRP-Rotax
ILLUSTRATED PARTS CATALOG



09752

Fig. 79-20-00-3

d06433.fm