

BRP-Rotax

ILLUSTRATED PARTS CATALOG

Chapter) LEP

LIST OF EFFECTIVE PAGES

Chapter	Page	Date
	Title page	Nov. 01 2016
TOC	TOC -1 TOC- 2	Nov. 01 2016 Nov. 01 2016
LEP	LEP - 1 LEP - 2	March 01 2017 March 01 2017
TOA	RV - 1 RV - 2	March 01 2017 March 01 2017
00-00-00	1 2 3 4 5 6 7 8 9 10 11 12 13 14 15 16 17 18 19 20	Nov. 01 2016 Nov. 01 2016 Nov. 01 2016 Nov. 01 2016 Nov. 01 2016 Nov. 01 2016 Nov. 01 2016 Nov. 01 2016 Nov. 01 2016 Nov. 01 2016 Nov. 01 2016 Nov. 01 2016 Nov. 01 2016 Nov. 01 2016 Nov. 01 2016 Nov. 01 2016 Nov. 01 2016 Nov. 01 2016 Nov. 01 2016 Nov. 01 2016
24-20-00	1 2 3 4	Nov. 01 2016 Nov. 01 2016 Nov. 01 2016 Nov. 01 2016
24-30-00	1 2 3 4	Nov. 01 2016 Nov. 01 2016 Nov. 01 2016 Nov. 01 2016
37-10-00	1 2 3 4	Nov. 01 2016 Nov. 01 2016 Nov. 01 2016 Nov. 01 2016

Chapter	Page	Date
61-20-00	1 2 3 4	Nov. 01 2016 Nov. 01 2016 Nov. 01 2016 Nov. 01 2016
71-20-00	1 2 3 4	Nov. 01 2016 Nov. 01 2016 Nov. 01 2016 Nov. 01 2016
72-10-00	1 2 3 4 5 6 7 8	Nov. 01 2016 Nov. 01 2016 Nov. 01 2016 Nov. 01 2016 Nov. 01 2016 Nov. 01 2016 Nov. 01 2016 Nov. 01 2016
72-20-00	1 2 3 4 5 6 7 8 9 10 11 12 13 14	Nov. 01 2016 Nov. 01 2016 Nov. 01 2016 Nov. 01 2016 Nov. 01 2016 Nov. 01 2016 Nov. 01 2016 Nov. 01 2016 Nov. 01 2016 Nov. 01 2016 Nov. 01 2016 Nov. 01 2016 Nov. 01 2016 Nov. 01 2016

d06422.fm

BRP-Rotax
ILLUSTRATED PARTS CATALOG

Chapter	Page	Date
73-10-00	1	Nov. 01 2016
	2	Nov. 01 2016
	3	Nov. 01 2016
	4	Nov. 01 2016
	5	Nov. 01 2016
	6	Nov. 01 2016
	7	Nov. 01 2016
	8	Nov. 01 2016
	9	Nov. 01 2016
	10	Nov. 01 2016
	11	Nov. 01 2016
	12	Nov. 01 2016
	13	Nov. 01 2016
	14	Nov. 01 2016
	15	Nov. 01 2016
	16	Nov. 01 2016
74-20-00	1	Nov. 01 2016
	2	Nov. 01 2016
	3	Nov. 01 2016
	4	Nov. 01 2016
	5	Nov. 01 2016
	6	Nov. 01 2016
75-20-00	1	Nov. 01 2016
	2	Nov. 01 2016
	3	Nov. 01 2016
	4	Nov. 01 2016
	5	Nov. 01 2016
	6	Nov. 01 2016
	7	Nov. 01 2016
	8	Nov. 01 2016
76-10-00	1	Nov. 01 2016
	2	Nov. 01 2016
	3	Nov. 01 2016
	4	Nov. 01 2016
76-50-00	1	Nov. 01 2016
	2	Nov. 01 2016
	3	Nov. 01 2016
	4	Nov. 01 2016
78-10-00	1	Nov. 01 2016
	2	Nov. 01 2016
	3	Nov. 01 2016
	4	Nov. 01 2016
	5	Nov. 01 2016
	6	Nov. 01 2016

Chapter	Page	Date
79-20-00	1	Nov. 01 2016
	2	Nov. 01 2016
	3	Nov. 01 2016
	4	Nov. 01 2016
	5	Nov. 01 2016
	6	Nov. 01 2016
	7	Nov. 01 2016
	8	Nov. 01 2016
	9	Nov. 01 2016
	10	Nov. 01 2016
80-10-00	1	March 01 2017
	2	March 01 2017
	3	March 01 2017
	4	March 01 2017

d06422.fm

BRP-Rotax

ILLUSTRATED PARTS CATALOG

Chapter) TOA

TABLE OF AMENDMENTS

Approval*

The technical content of this document is approved under the authority of DOA No. EASA.21J.048.

current no.	chapter	page	date of change	remark of approval	date of approval from authorities	date of issue	signature
0	TOC	all	Nov. 01 2016	DOA*			
0	LEP	all	Nov. 01 2016	DOA*			
0	TOA	all	Nov. 01 2016	DOA*			
0	00-00-00	all	Nov. 01 2016	DOA*			
0	24-20-00	all	Nov. 01 2016	DOA*			
0	24-30-00	all	Nov. 01 2016	DOA*			
0	37-10-00	all	Nov. 01 2016	DOA*			
0	61-20-00	all	Nov. 01 2016	DOA*			
0	71-20-00	all	Nov. 01 2016	DOA*			
0	72-10-00	all	Nov. 01 2016	DOA*			
0	72-20-00	all	Nov. 01 2016	DOA*			
0	73-10-00	all	Nov. 01 2016	DOA*			
0	74-20-00	all	Nov. 01 2016	DOA*			
0	75-20-00	all	Nov. 01 2016	DOA*			
0	76-10-00	all	Nov. 01 2016	DOA*			
0	76-50-00	all	Nov. 01 2016	DOA*			
0	78-10-00	all	Nov. 01 2016	DOA*			
0	79-20-00	all	Nov. 01 2016	DOA*			
0	80-10-00	all	Nov. 01 2016	DOA*			
1	LEP	all	March 01 2017	DOA*			
1	TOA	all	March 01 2017	DOA*			
1	80-10-00	all	March 01 2017	DOA*			

d06424.fm

BRP-Rotax

ILLUSTRATED PARTS CATALOG

Chapter) TOA

Content

Summary of the relevant amendments in this context, but makes no claim to completeness.

current no.	chapter	page	date of change	comments
0	all	all	Nov. 01 2016	New IPC layout, change company name
1	80-10-00	all	March 01 2017	- Removal of 0.9 kW HD-Starter (not tested for 912 iS / 912 iS Sport / 912 iSc Sport)

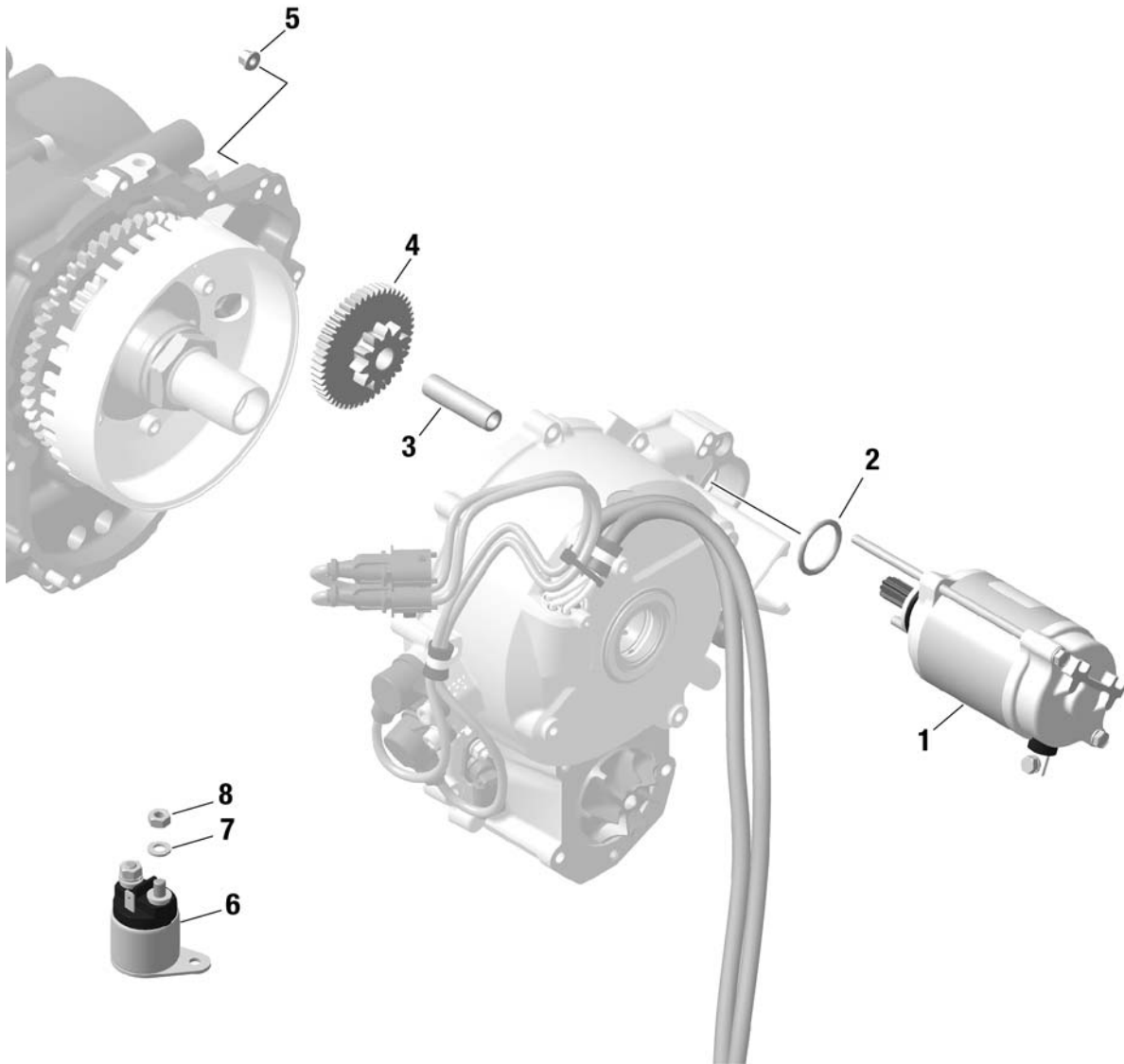
d06424.fm

BRP-Rotax
ILLUSTRATED PARTS CATALOG

NOTES

d06421.fm

BRP-Rotax
ILLUSTRATED PARTS CATALOG



AE 5iS_0227_a

Fig. 80-10-00-1

d06421.fm

BRP-Rotax
 ILLUSTRATED PARTS CATALOG
Chapter) 80-10-00
ELECTRIC STARTER, STARTER RELAY

FIG. & ITEM NO.	STATUS	PART NO.	INDENT	Description	Parts per Engine		
					912 iS	912 iSc Sport	912 iS Sport
1 1-2		685667	.1	ELECTRIC STARTER ASSY.	1	1	1
2		250140	..2	O-RING 24.4x3.1	1	1	1
3		837102	.1	IDLE GEAR SHAFT	1	1	1
4		834156	.1	IDLE GEAR 50/11 T	1	1	1
5		942311	.1	HEX. NUT M5	2	2	2
6-8		992818	.1	STARTER RELAY ASSY.	1	1	1
7		945751	.1	LOCK WASHER A6	2	2	2
8		242211	.1	HEX. NUT M6	2	2	2

- Items not illustrated

d06421.fm

BRP-Rotax
ILLUSTRATED PARTS CATALOG

NOTES

d06421.fm